

Part number



CMP 03 LS



Brief description:

surface mounting housings with single lever, size "57.27" insulated 830V, metal cover, Pg16, insulated 830V version, IP65

Product description	
Version	insulated 830V version
Series	Surface mounting housings with 1 lever
Product type	with 1 lever
Variant	metal cover
Family	830V enclosures for CME inserts
Size	size "57.27" insulated 830V
Technical data	
Material	metal
IP degree of protection	IP65
Cable entry	Pg16
Further technical details	
Weight	294,00 g

Approvals / Standards	
Quality mark	 (type:4/4X/12),  , EAC
Conformity	CQC, CE
General ordering information	
EAN13 code	8015747031332
Tariff number	85369095
Packaging Information	
Packaging length	175,00 mm
Packaging height	115,00 mm
Packaging width	350,00 mm
Packaging weight	2,94 kg
Packaging volume	7,04 dm ³
Packaging description	Carton box
Packaging quantity	10 Pcs
Packaging EAN code	8015747231459
Sub-packaging weight	1,47 kg
Sub-packaging description	Plastic pakaging
Sub-packaging quantity	5 Pcs
Sub-packaging EAN barcode	8015747031349

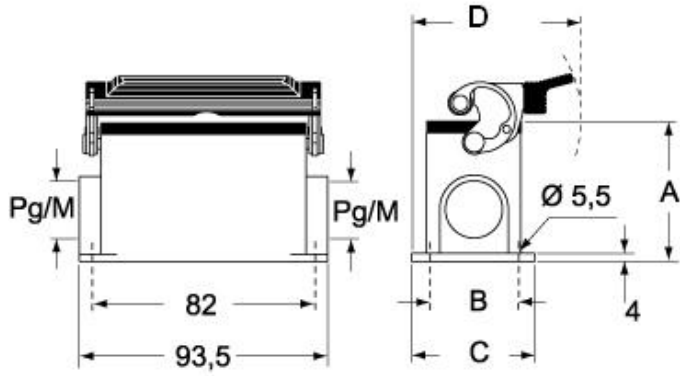
Part number

CMP 03 LS



Catalogue drawings

CMP L CMAP L - MMP L MMAP L



CMP LS CMAP LS - MMP LS MMAP LS

